



Qingdao Kndmax Machinery Co.,Ltd

Website:www.kndmax.com E-mail:sales@kndmax.com
Tel:0086-18853225852 WhatsApp:+86-18853225852
Add:No.1003 Yanjialing Industrial Park,Qingdao,China

More Success With KNDMAX



LOG SPLITTER

WOOD CHIPPER

DUMPER



----- TOGETHER WITH KNDMAX WE BUILD THE FUTURE -----



Qingdao Kndmax Machinery Co.,Ltd

Website:www.kndmax.com E-mail:sales@kndmax.com Tel:0086-18853225852
WhatsApp:+86-18853225852 Add:No.1003 Yanjialing Industrial Park,Qingdao,China



COMPANY PROFILE

KNDMAX IS YOUR IDEAL MANUFACTURER OF LOG SPLITTER AND WOOD CHIPPER AND DUMPER for your Garden.

Qingdao Kndmax Machinery Co.,Ltd (KNDMAX)

is an garden machinery research, development and production enterprise engaging in the research, development, production and sales of log splitter,wood chipper and mini dumper industry machinery with its registered brand of agricultural equipment of "KNDMAX". It is also a new high-tech enterprise in Yanjialing Industrial Park, Jimo District, Qingdao, Shandong Province, China.

KNDMAX Parent company is Zhongke Honghui Technology Co., Ltd. located in Capital Beijing and the registered capital is 200,000,000 RMB

The company has established long-term cooperative relationships with well-know domestic research institutes such as the China Agricultral University,Qingdao Agricultral University,Shandong University of Technology and Shandong Academy of Agricultural Machinery Sciences.

With its strong technique power and strong capital support, complete set of manufacture equipments and experimental devices,advanced CAD R&D means, the company has complete production capaicy from cutting,profiling,welding,maching,paiting to packing. KNDMAX grow very fast and already become the important manufacturing premise of log splitter and wood chipper manufacturers in China.

Most of our products are patented. All KNDMAX products are CE and ISO9001 certified.We also deal with the business of production against samples or drawings.

In the meantime, the Company also constructed a domestically leading agricultural machinery production line, and was equipped with scientific research, production and after-sales service, providing strong technical supports and reliable quality guarantees for the research and manufacturing, production and service of the Company.

In order to meet our competition , our marketing department focuses on the high-quality European and American Garden machine market.This enhances our technical level and brand value. We reply on our first-class quality and our sales are trully global. No matter whether in the USA,Canada,U.K.,Germany,Italy,Sweden,France,Finland,Australia or elsewhere, you would find our KNDMAX products.

Liu Jintao,General manager,together with all staff sincerely welcome friends to visit!

Together with KNDMAX, We build the Future.



Enterprise Honor

企业信用评价 AAA 级信用企业
青岛凯能达机械有限公司

信用评级名称: 信用等级
信用评级结果: AAA级
信用证书编号: YDGJ6275A419U373ROG
证书发证日期: 2024年09月09日
证书有效期至: 2027年09月08日
同步推送网址: 中国招投标网
信用公示网址: www.chinaxy315.com
信用评级机构: 亚商国际信用评级有限公司

CERTIFICATE
ATTESTATION CERTIFICATE OF MACHINERY AND ELECTROMAGNETIC COMPATIBILITY DIRECTIVES

Company Name: QINGDAO KNDMAX MACHINERY CO.,LTD
Company Address: Shandong Province, Jimo District, Yanjialing Industrial Park, Qingdao, Shandong Province, China

Product Name: Wood Chipper
Report No and Date: 140-FCP-202302-4082 16/03/2023

CERTIFICATE
ATTESTATION CERTIFICATE OF MACHINERY AND ELECTROMAGNETIC COMPATIBILITY DIRECTIVES

Company Name: QINGDAO KNDMAX MACHINERY CO.,LTD
Company Address: Shandong Province, Jimo District, Yanjialing Industrial Park, Qingdao, Shandong Province, China

Product Name: Log Splitter
Report No and Date: 140-FCP-202316-4384 16/03/2023

CERTIFICATE
ATTESTATION CERTIFICATE OF MACHINERY AND ELECTROMAGNETIC COMPATIBILITY DIRECTIVES

Company Name: QINGDAO KNDMAX MACHINERY CO.,LTD
Company Address: Shandong Province, Jimo District, Yanjialing Industrial Park, Qingdao, Shandong Province, China

Product Name: Dumper
Report No and Date: 140-FCP-202302-4082 16/03/2023

Optional Engine Brands



百力通®



Wood Chipper

CS703



Engine	Single cylinder, four stroke, air cooling
Net Power	3600rpm,4.8kw
Max. Chipping Diameter	76mm
Weight	74kgs
External dimensions	1528×815×1080mm
Type of Fuel	Gasoline
Starting method	Manuel
Wheel Tire	13×5-6
Cutting method	Disc
Cutter wheel RPM	3600rpm/min
Blade Nos.	3×Moving knives, 1×fixed knife 4×fly knives
Drive	Direct connection
Chipper	Yes
Shredder	Yes
Recommended Oil	10W-30 oil (5W-30 is recommended for cold weather climate)
Feeding system	Hydraulic Feeding System
Hydraulic oil and oil tank capacity	No
Package Size	985×580×640mm
40HQ Loading Qty.	192pcs

Wood Chipper

GC6053



Engine	Single cylinder, four stroke, air cooling
Net Power	3600rpm,4.8kw
Max. Chipping Diameter	76mm
Weight	94kgs
External dimensions	1810×535×965mm
Type of Fuel	Gasoline
Starting method	Manuel
Wheel Tire	10inch
Cutting method	Drum
Cutter wheel RPM	2400 rpm/min
Blade Nos.	2×fly knives, 1×fixed knife
Drive	Direct Belt Drive /Centrifugal Clutch
Chipper	Yes
Shredder	No
Recommended Oil	10W-30 oil (5W-30 is recommended for cold weather climate)
Feeding system	Self-feeding
Hydraulic oil and oil tank capacity	No
Package Size	900×580×870mm
40HQ Loading Qty.	156pcs

Wood Chipper

GC6053-1



Engine	Single cylinder, four stroke, air cooling
Net Power	3600rpm,4.8kw
Max. Chipping Diameter	76mm
Weight	94kgs
External dimensions	1810×535×965mm
Type of Fuel	Gasoline
Starting method	Manuel
Wheel Tire	10inch
Cutting method	Drum
Cutter wheel RPM	2400 rpm/min
Blade Nos.	2×fly knives, 1×fixed knife
Drive	Direct Belt Drive /Centrifugal Clutch
Chipper	Yes
Shredder	No
Recommended Oil	10W-30 oil (5W-30 is recommended for cold weather climate)
Feeding system	Self-feeding
Hydraulic oil and oil tank capacity	No
Package Size	900×580×870mm
40HQ Loading Qty.	156pcs

Wood Chipper

PGC155

Engine	Single cylinder, four stroke, air cooling
Net Power	3600rpm,11kw
Max. Chipping Diameter	120mm
Weight	179kgs
External dimensions	2470×735×1415mm
Type of Fuel	Gasoline
Starting method	Manuel/Electric
Wheel Tire	13×5-6
Cutting method	Drum
Cutter wheel RPM	2160 rpm/min
Blade Nos.	2×fly knives, 1×fixed knife
Drive	Direct Belt Drive /Centrifugal Clutch
Chipper	Yes
Shredder	No
Recommended Oil	10W-30 oil (5W-30 is recommended for cold weather climate)
Feeding system	Self-feeding
Hydraulic oil and oil tank capacity	No
Package Size	1300×770×1130mm
40HQ Loading Qty.	54pcs



Wood Chipper

GC155



Model	GC155
Engine	Single cylinder, four stroke, air cooling
Net Power	3600rpm,11kw
Fuel Tank	6.5L
Start	Recoil/Electric
Feeding method	Self-feeding
Cutting method	Drum
Max. Chipping Diameter	12cm
External dimensions	2600×950×1390mm
Clutch	High torque clutch

Wood Chipper

GC155-1



Model	GC155-1
Engine	Single cylinder, four stroke, air cooling
Net Power	3600rpm,11kw
Fuel Tank	6.5L
Start	Recoil/Electric
Feeding method	Self-feeding
Cutting method	Drum
Max. Chipping Diameter	12cm
External dimensions	2600×950×1390mm
Clutch	High torque clutch

Wood Chipper

GC155-2



Model	GC155-2
Engine	Single cylinder, four stroke, air cooling
Net Power	3600rpm,11kw
Fuel Tank	6.5L
Start	Recoil/Electric
Feeding method	Self-feeding
Cutting method	Drum
Max. Chipping Diameter	12cm
External dimensions	2600×950×1390mm
Clutch	High torque clutch

Wood Chipper

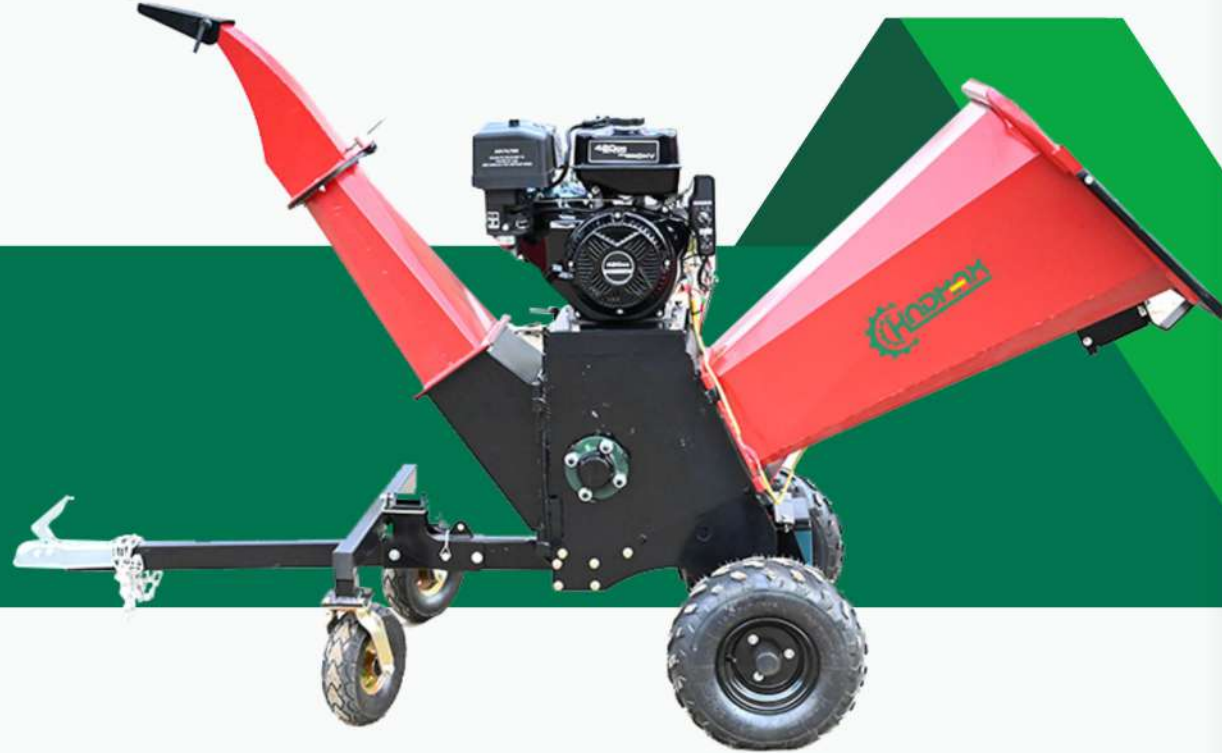
DGC154



Model	DGC154
Engine	Single cylinder, four stroke, air cooling
Net Power	3600rpm,11kw
Chipping capacity	120mm
Weight	220kgs
External dimensions	2610×1010×1735
Type of Fuel	Petrol
Starting method	Recoil/Electric(optional)
Oil sensor	Yes
Cutting method	Disc
Diameter	550mm
Cutter wheel RPM	1600 rpm/min

Wood Chipper

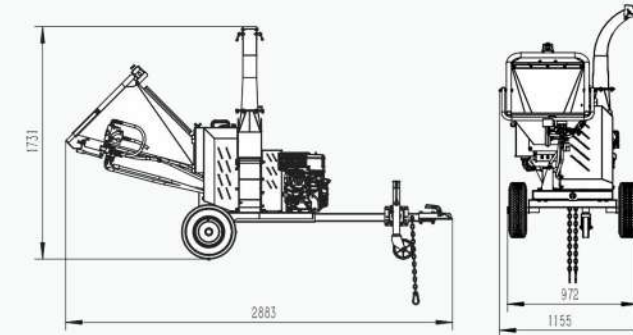
GC156



Engine	Single cylinder, four stroke, air cooling
Net Power	3600rpm, 11kw
Max. Chipping Diameter	150mm
Weight	232kgs
External dimensions	2750×950×1520mm
Type of Fuel	Gasoline
Starting method	Manuel/Electric
Wheel Tire	16×8-7
Cutting method	Drum
Cutter wheel RPM	2160 rpm/min
Blade Nos.	2×fly knives, 1×fixed knife
Drive	Direct Belt Drive /Centrifugal Clutch
Chipper	Yes
Shredder	No
Recommended Oil	10W-30 oil (5W-30 is recommended for cold weather climate)
Feeding system	Self-feeding
Hydraulic oil and oil tank capacity	No
Package Size	1300×770×1220mm
40HQ Loading Qty.	54pcs

Hydraulic Wood Chipper

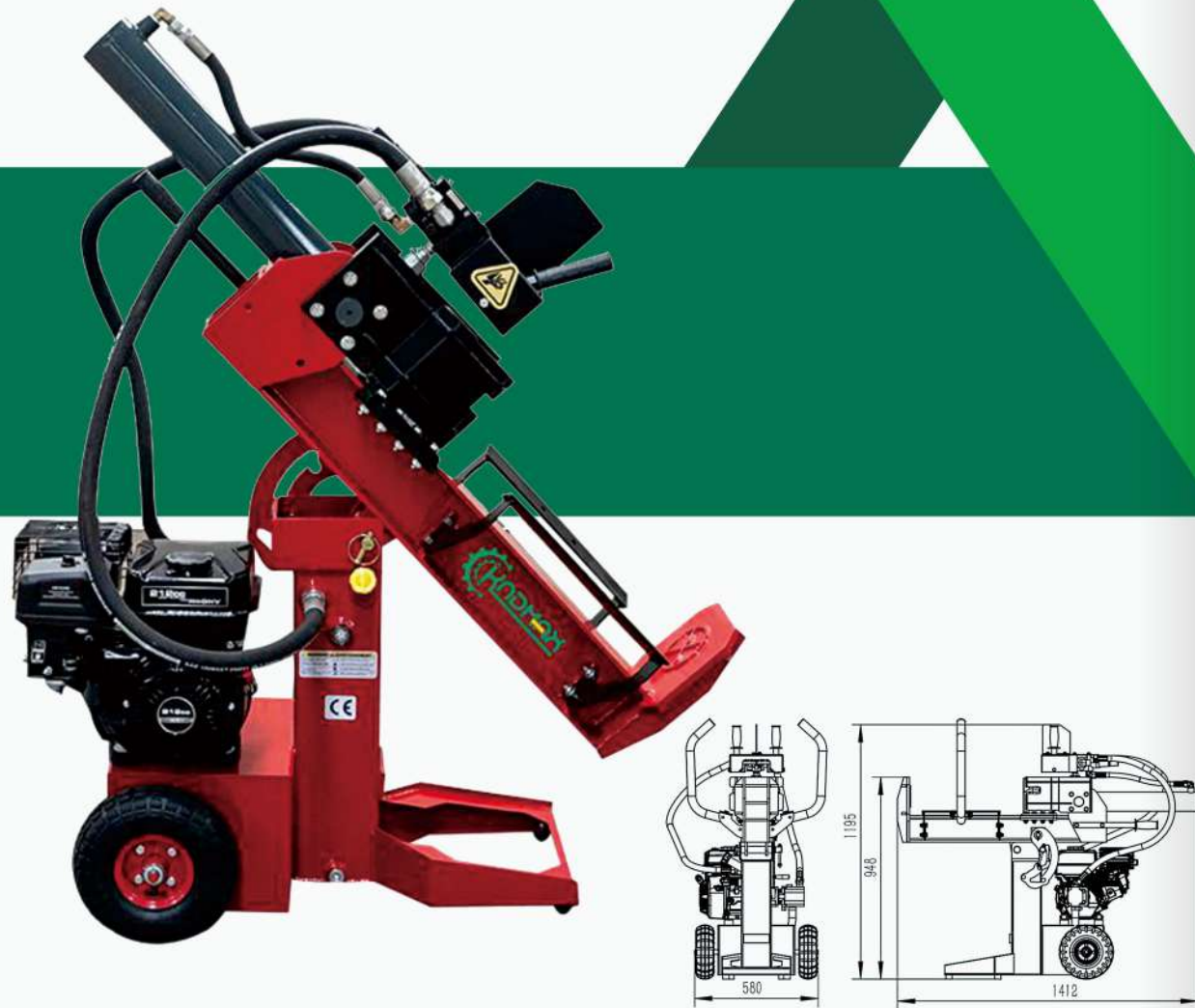
HGC155



Model	HGC155
Engine	Single cylinder, four stroke, air cooling
Net Power	3600rpm, 11kw
Start	Recoil/Electric
Feeding method	Self-feeding
Cutting method	Disc
Feeding system	Hydraulic Feeding System
Max. Chipping Diameter	13cm
External dimensions	2885×1030×1735mm
Oil tank capacity	4L
Hydraulic Oil	N46

Log Splitter

HBWS15S

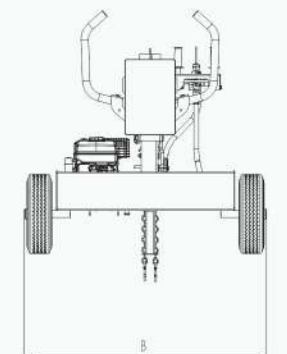
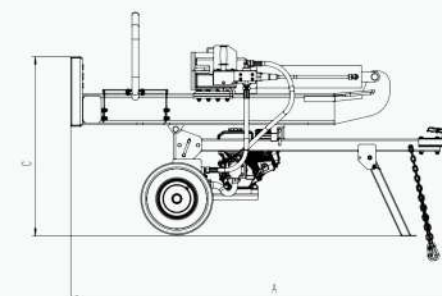
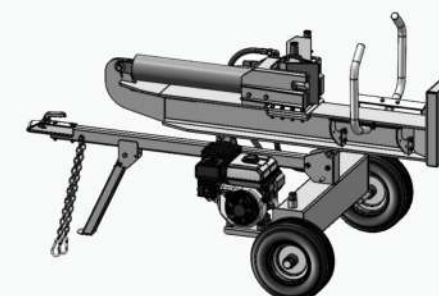


Model	HBWS15S
Split Force	15t
Log Capacity	525mm
Pump Size	10GPM
Cylinder inner Diameter	3inch
Cylinder Cycle Time	10S
Control Handle	Single&Double handles
Hydraulic Capacity (L)	9L
Engine	7HP
Overall dimensions	1422×580×1189

Log Splitter

WS18/25/30/35/40

Model	WS18	WS25	WS30	WS35	Ws40
Split Force	18t	25t	30t	35t	40t
Log Capacity	630mm	630mm	630mm	630mm	630mm
Pump Size	14GPM	14GPM	14GPM	17GPM	17GPM
Cylinder inner Diameter	3.5inch	4inch	4inch	5inch	5inch
Hydraulic Cylinder Stroke	602mm	602mm	602mm	602mm	602mm
Control Handle	Single&Double handles				
Cylinder Cycle Time	9.1S	10.9S	14.3S	13.8S	13.8S
Hydraulic Capacity (L)	19L	23L	24.5L	27L	27L
Engine	7HP	7HP	7HP	9HP	15HP
Overall dimensions	2446×1166×994	2221×1186×1002	2221×1246×1002	2221×1326×1002	2221×1326×1002

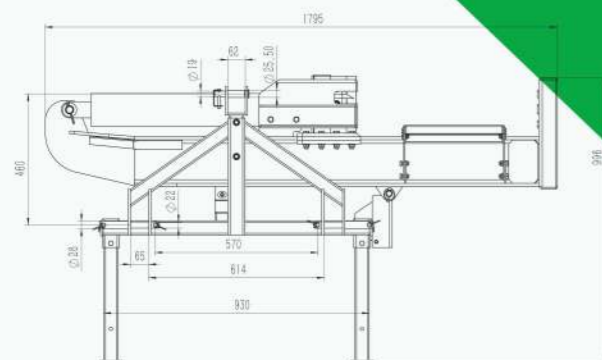


Log Splitter

STWS0122/28/35



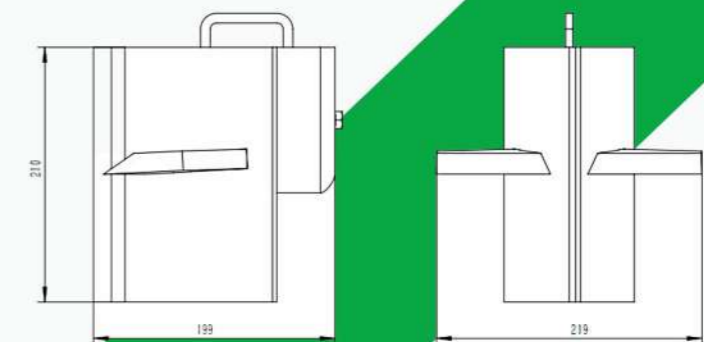
Model	STWS0122	STWS0128	STWS0135
Split Force	22t(Depending on the tractor)	28t(Depending on the tractor)	35t(Depending on the tractor)
Log Capacity	630mm	630mm	630mm
Recommended hydraulic system pressure for tractors	15-28MPa	15-28MPa	15-28MPa
Cylinder inner Diameter	4inch	4.5inch	5inch
Hydraulic Rod Diameter	44.5mm	44.5mm	44.5mm
Hydraulic Cylinder Stroke	600mm	600mm	600mm
Tractor mounted	CAT1, CAT2	CAT1, CAT2	CAT1, CAT2
Recommended hydraulic flowrate for tractors	8-12GPM	10-15GPM	13-18GPM
Overall dimensions	1795×796×1006	1795×796×1006	1795×796×1006



Log Splitter

HBWS25/30

Model	HBWS25	HBWS30
Split Force	25t	30t
Log Capacity	630mm	630mm
Pump Size	14GPM	14GPM
Cylinder inner Diameter	4inch	4.5inch
Hydraulic Cylinder Stroke	602mm	602mm
Cylinder Cycle Time	10.9S	14.3S
Hydraulic Capacity (L)	23L	24.5L
Engine	7HP	7HP
Overall dimensions	2208×1186×1002	2208×1246×1002



Wheel Dumper

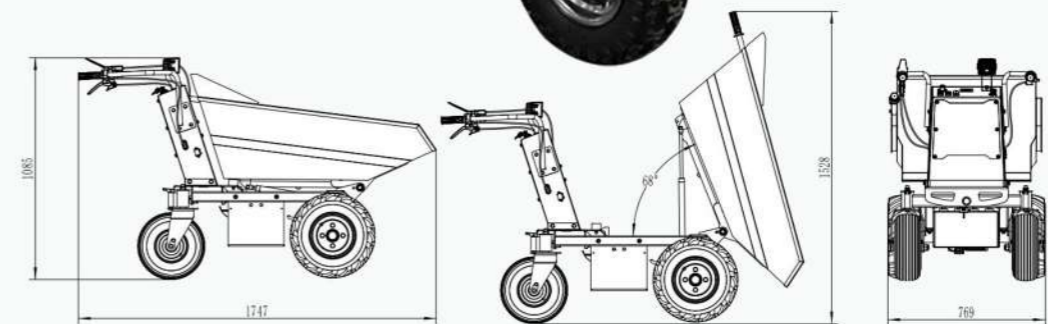
MD250



Model	MD250
Engine	Single cylinder, four stroke, air cooling
Power	5.5 HP
Fuel Tank	1.2L
Start	Recoil
Transmission type	4F+1R
Driven	Chain driven 4x4
Load capacity	250kg
Brake	Disk
Traveling speed	0-5 KM/h
Wheel	Front 4.00-10, Rear 4.00-8

Electric Mini Dumper

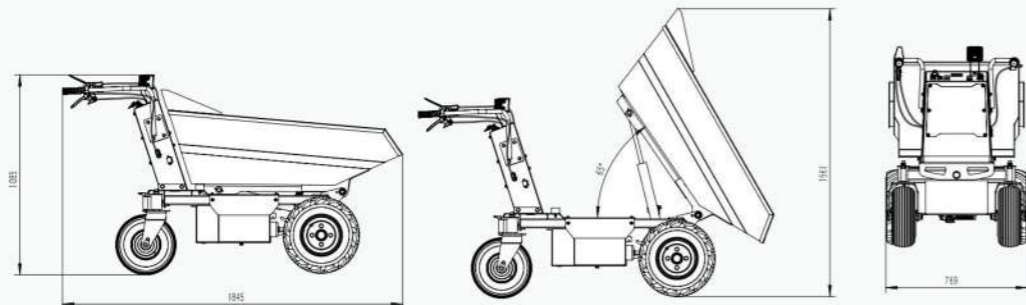
ED500



Model	ED500
Motor	1000W brushless DC motor
Brake System	Electromagnetic brake
Lighting Lamp	2 (pcs) 30W
Speed	Top Speed : 0-5.1km/h
	Middle Speed : 0-4.4km/h
	Low Speed : 0-2km/h
	Reverse speed : 0-2km/h
Load Capacity	500KG
Tipping method	Manual
Overall Size	1750×770×1080

Electric Mini Dumper

ED500H



Model	ED500H
Motor	1000W brushless DC motor
Brake System	Electromagnetic brake
Lighting Lamp	2 (pcs) 30W
Speed	Top Speed:0-5.1km/h
	Middle Speed:0-4.4km/h
	Low Speed:0-2km/h
	Reverse speed:0-2km/h
Load Capacity	500KG
Tipping method	Hydraulic
Overall Size	1850×770×1080

Electric Mini Dumper

ED500E ELECTRIC MINI DUMPERS



Motor	600W×2
Batteries	48V 32Ah Maintenance Free Lead-acid Battery
Weight	235kgs
Loading Capacity	500kgs
Bin size	1060×670×470mm
Tire size / Track Width	16×6.5-8
Tipping	Electric
Forward Speed	1:0-2 km/h
	2:0-4.4km/h
	3:0-5.1km/h
Reverse Speed	0-2 km/h
Transmission oil	80W-90
Working Time	6-8 hours
Charging Time	6-7 hours
Hydraulic oil and oil tank capacity	No
Package Size	1120*740*1100
40HQ Loading Qty.	64PCS

Hydraulic Track Dumper

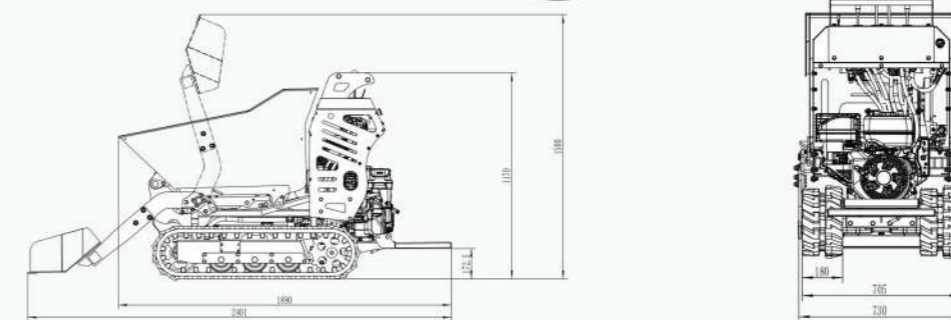
HCD500



Model	HCD500
Engine	Single cylinder, four stroke, air cooling
Net Power	3600rpm,6.6kw
Loading Capacity	500Kg
External dimensions	1890×730×1170mm
Max.Travel Speed	0-3.5km/h
Max.Gradeability	20°
Hydraulic pressure	20MPa
Working Type	Self Loading and Unloading
Hydraulic Oil	N46

Hydraulic Track Dumper

HCD500FL



Model	HCD500FL
Engine	Single cylinder, four stroke, air cooling
Net Power	3600rpm,6.6kw
Loading Capacity	500Kg
External dimensions	1890×730×1500mm
Max.Travel Speed	0-3.5km/h
Max.Gradeability	20°
Hydraulic pressure	20MPa
Working Type	Self Loading and Unloading
Hydraulic Oil	N46
Bucket Capacity	0.25m ³